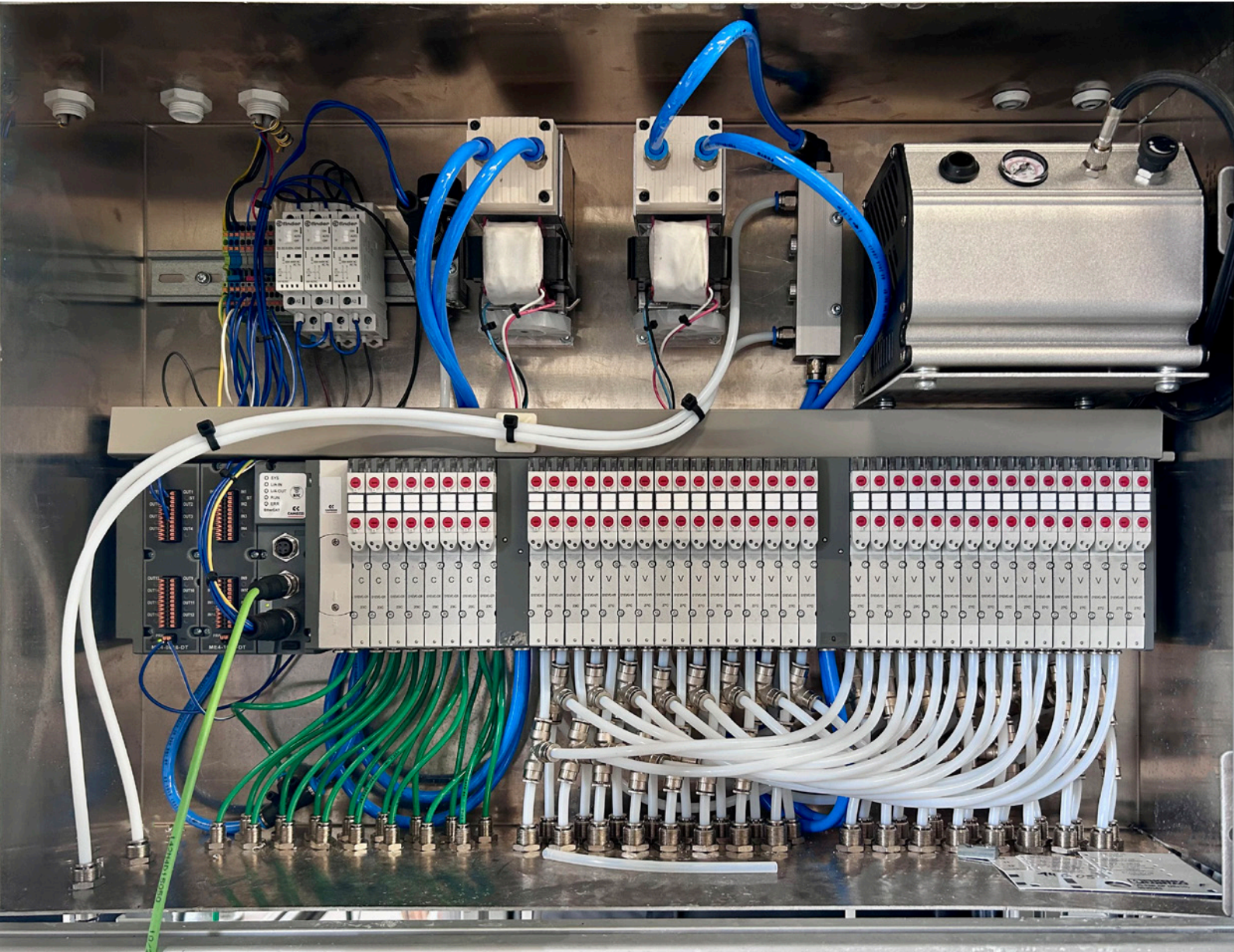


Multipler

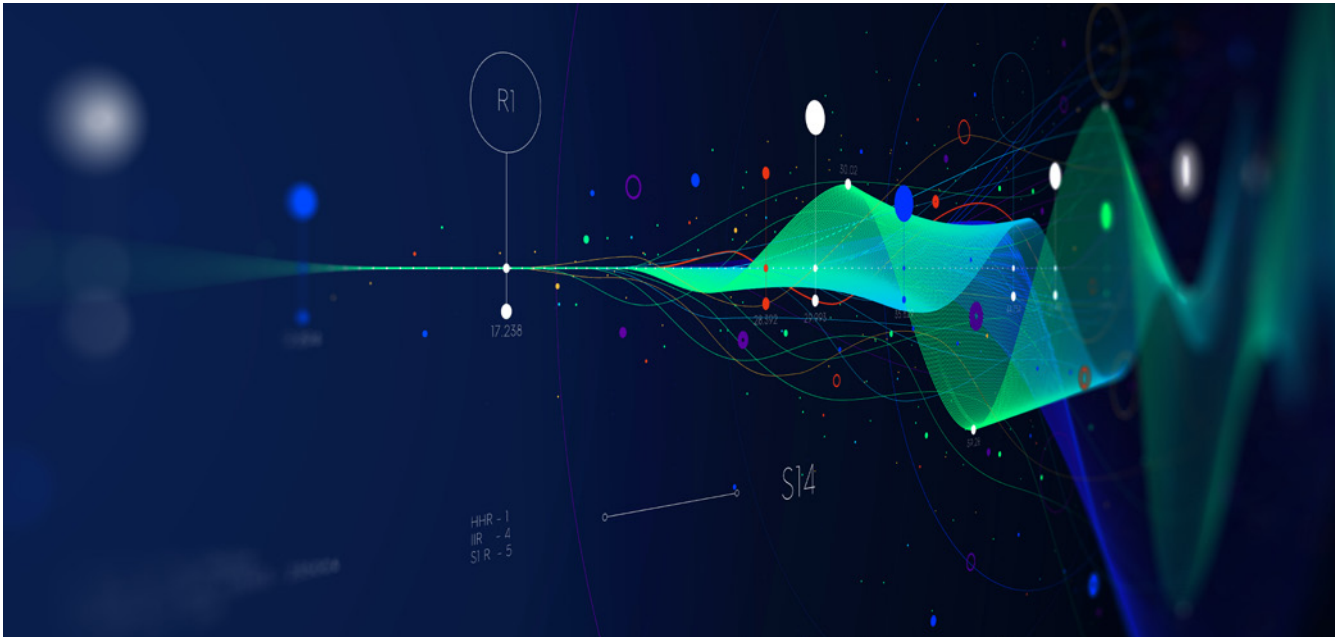


Version: 2025/0515

 *regineering*

Multiplexer Type: MP864MEFLCL

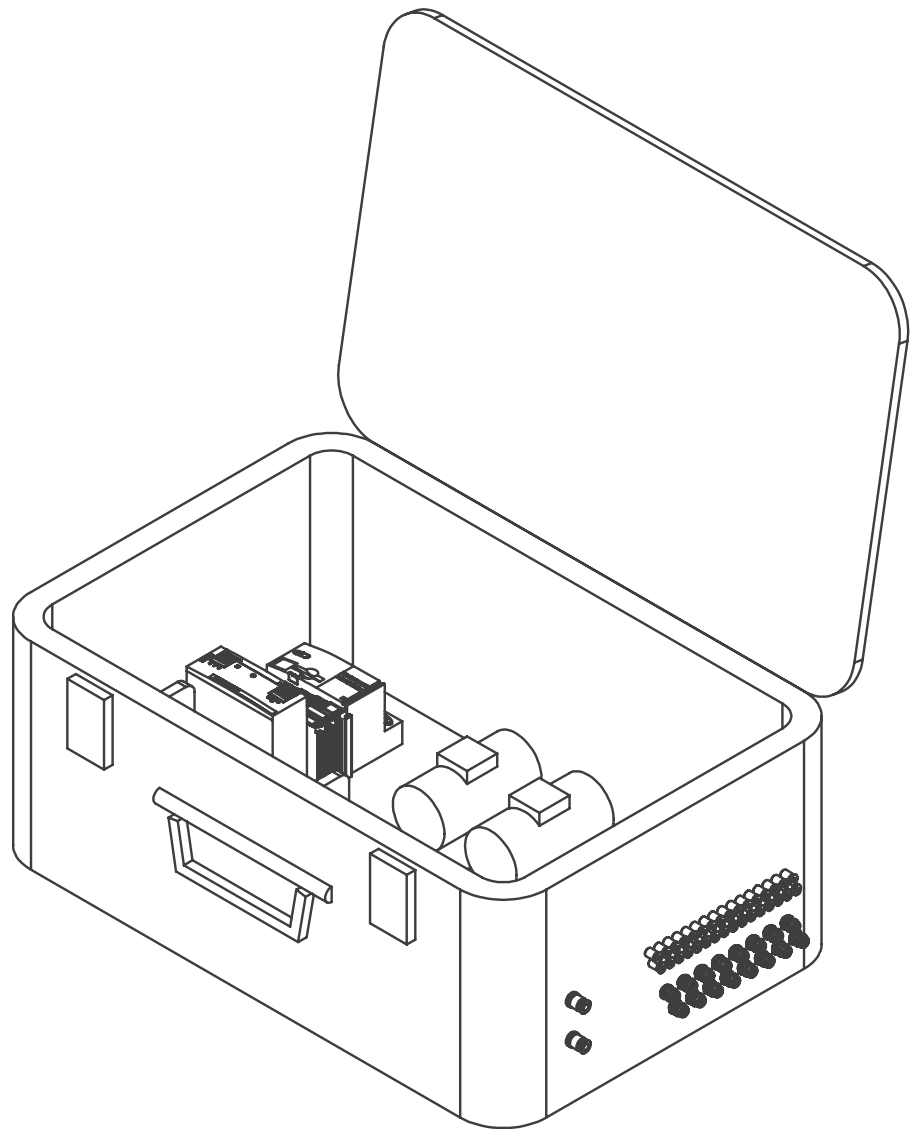
Up to 64 channel-multiplexer for precise gas analysis



Specifications

Dimensions (L/W/H):	400 mm x 615 mm x 230 mm
Weight:	approx. 8 kg
Purging and measuring pump:	Diaphragm gas feed pump
Flow rate at atmospheric pressure:	max. 3 NI/min
Individually programmable channels:	up to 64
Function per channel:	Measure, Purge or Closed
Valve extension:	Optional valve extension for shutting off the lines directly at the measuring probes
Programming:	Intuitive programming via webserver
Measuring, purging and closing times:	Adjustable
1-phase connection:	110–230V
Ethernet:	2x RJ45 Ethernet port for the connection to your Ethernet network

Configurable options



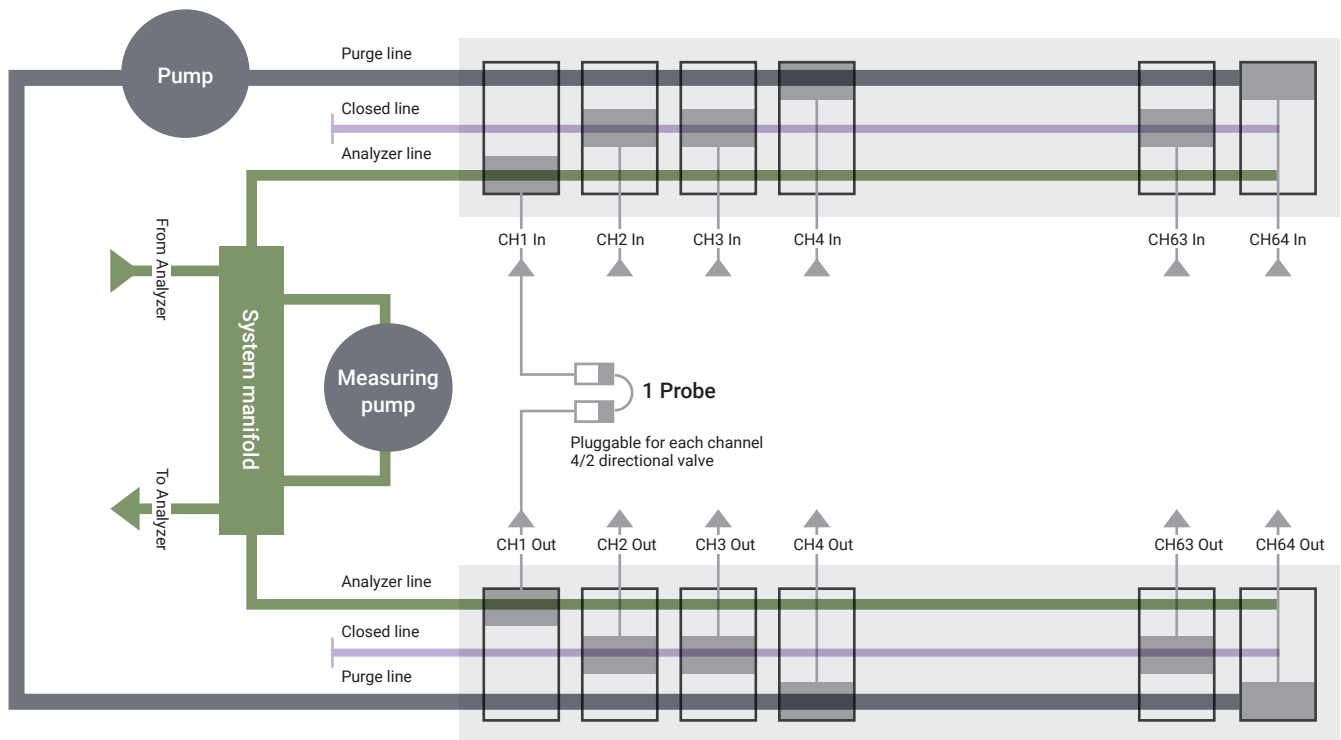
Setting of measuring time per channel

Setting of the purging time per channel

Purging of a single or several channels for precise analysis in every situation

Shut-off of a single or several channels by means of plug-in valves directly at the measuring probe

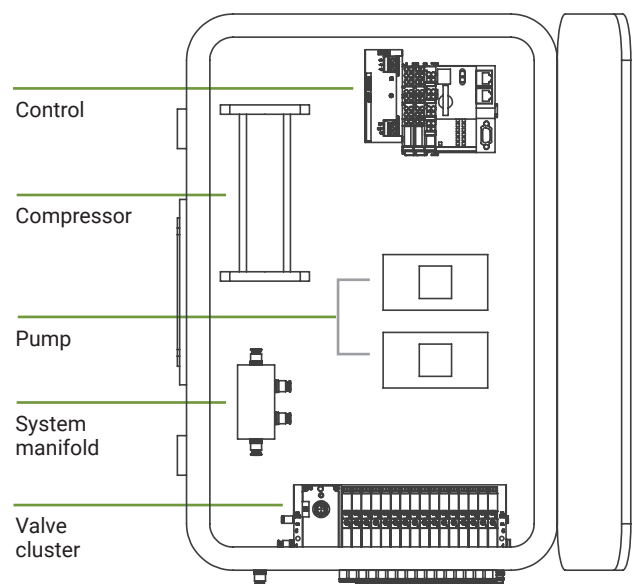
Function



In the drawn state CH1 is measured, CH2, CH3 and CH63 are closed and CH4 and CH64 are purged.

In addition, the shut-off at the measuring probe is shown for CH1, this function can be activated or deactivated for all channels.

The Channels 5 to 62 have been hidden for better visualization but are also measured, closed or purged, depending on the running program.



Interested in our product?

Get in touch:



regineering GmbH

Am Dörrenhof 13 A
85131 Preith
Germany

Phone: +49 8421 93766 0

Fax: +49 8421 93766 111

sales@regineering.com

www.regineering.com

Do you need a customised solution?
We're looking forward to collaborate
and design, plan and realise the product
that meets your needs.